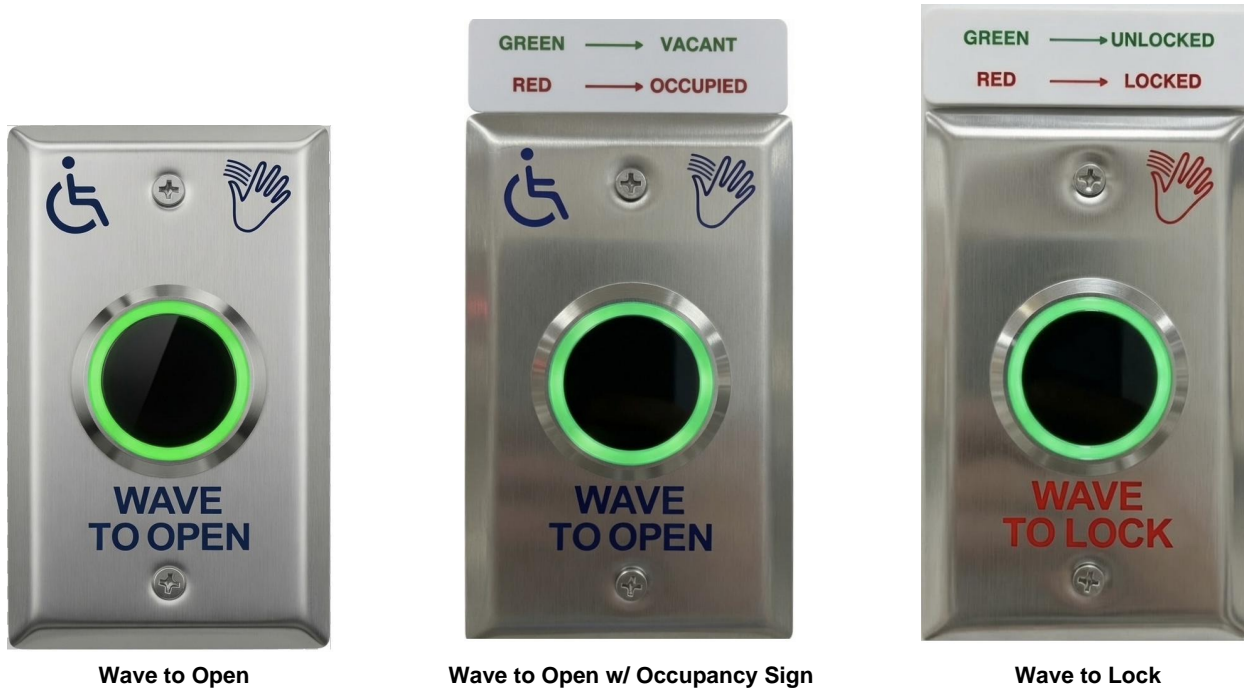


## Complete touchless washroom kit for hands-free barrier-free entry.

No-touch infrared wave switches for accessible washroom control. Wave a hand to open, lock, and signal occupancy — no surface contact for improved hygiene. Available in UV-coated stainless or black finish. Wire the switches as per the diagram in the Relay Master v6.5 manual.



### SPECIFICATIONS

- **Power Input:** DC 12V - 24V (+/-10%)
- **Sensing Range:** 4 - 15 cm, adjustable (+/-25%)
- **Output:** 1A @ DC30V max, dry contact (NO/COM/NC)
- **Output Mode:** trigger 0.5-20 sec or toggle
- **Indicator LED:** standby/action colour selectable (Red/Green)
- **Mounting:** fits a standard single-gang device box
- **Finishes:** UV-coated stainless or black finish
- **Plate - SFP24:** single-gang, 70 x 114.5 mm, 39 mm cutout
- **Plate - SFP44:** double-gang, 114.5 x 114.5 mm, 39 mm cutout
- **Current Draw:** 45 mA max @ DC24V
- **Operating Temp:** -10 C to +70 C | IP65 rated
- **Lifespan:** sensor 100,000 hrs | relay 1,000,000 cycles

### APPLICATIONS

- **Barrier-Free Washroom:** hands-free door control
- **Hygiene:** no-touch operation, no shared contact
- **Occupancy Signal:** Green = vacant / Red = occupied
- **Healthcare:** clinics, hospitals, care facilities
- **Electric Locks:** fail-safe & fail-secure compatible
- **Outdoor / Wet:** UV-coated finish resists fade & corrosion
- **Compatible with:** Relay Master v6.5



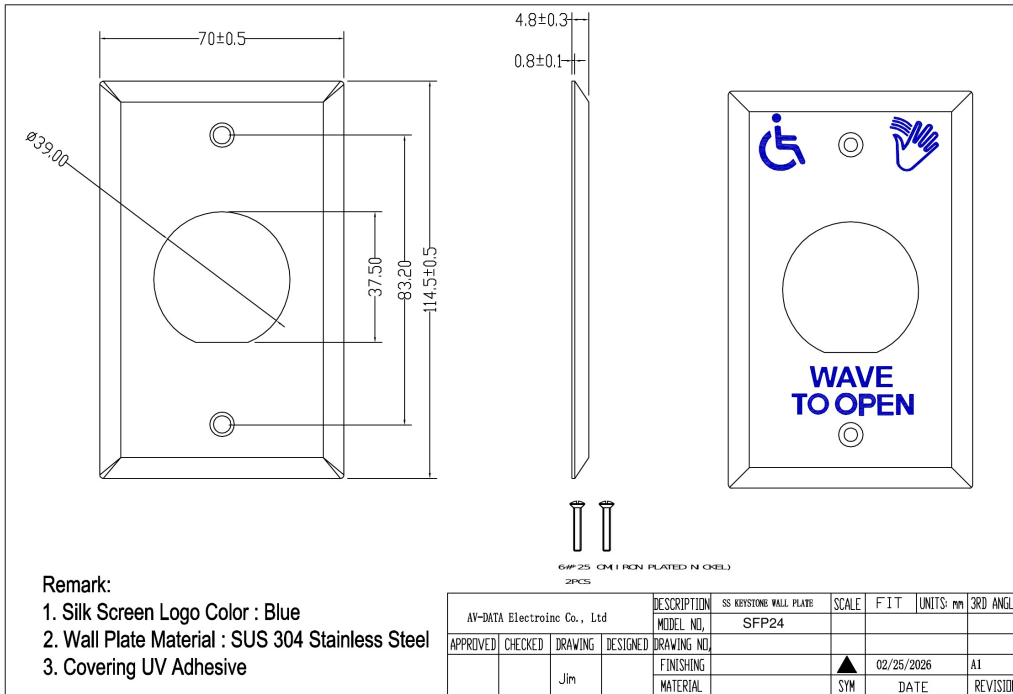
Designed and Assembled in Canada

### Mechanical dimensions (mm).

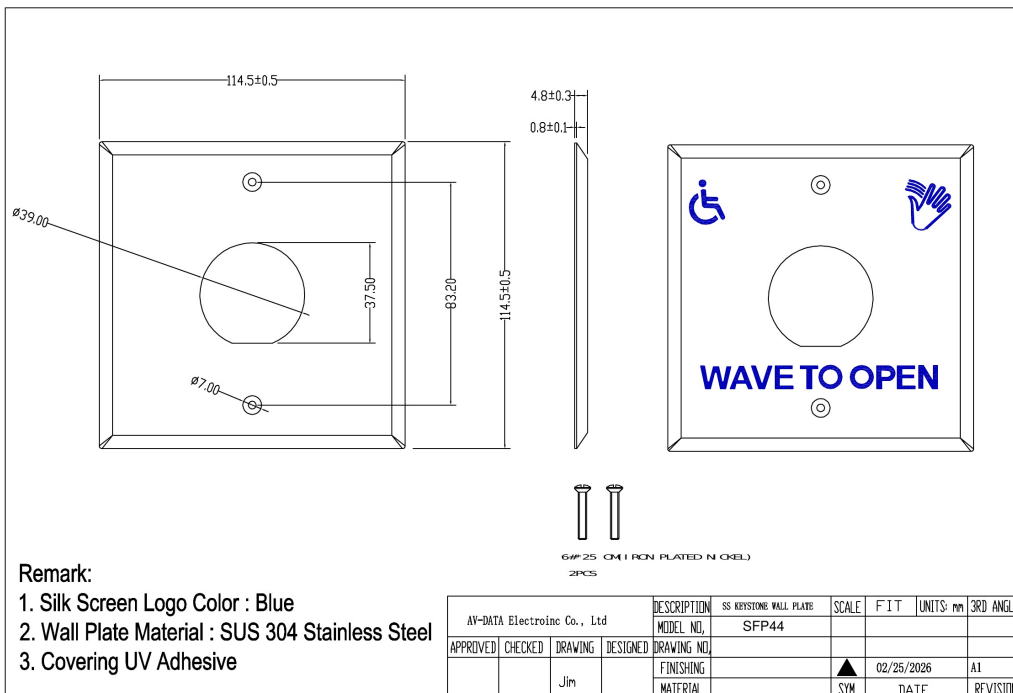
All plates: SUS 304 stainless steel, 0.8 mm thick, 4.8 mm depth, 39 mm sensor cutout, mounting holes 83.2 mm apart. Also available in a black finish (same dimensions).

**Note: Wave switches mount on a standard single-gang device box.**

**SFP24 — SINGLE-GANG PLATE (70 x 114.5 mm)**



**SFP44 — DOUBLE-GANG PLATE (114.5 x 114.5 mm)**



Designed and Assembled in Canada